

Switching Power Supply Type SPD 5W DIN rail mounting

CARLO GAVAZZI



- Universal AC input full range
- Installation on DIN rail 7.5 or 15mm
- Short circuit protection
- Overload protection
- High efficiency
- LED indicator for DC power ON
- LED indication for DC low
- Internal input filter
- CE, TUV approved and cULus Listed

Product Description

The Switching power supplies and compact dimensions and performance are a must. designed to be used in all automation application where the installation is on a DIN rail

Ordering Key

SP D 12 05 1 B

Model _____
 Mounting (D = Din rail) _____
 Output voltage _____
 Output power _____
 Input Type _____
 Optional features _____

Input type: 1= single phase

Approvals



Optional Features

Description	Code
Spring connectors	B

Output Performances

MODEL NO.	INPUT VOLTAGE	OUTPUT WATTAGE	OUTPUT VOLTAGE	OUTPUT CURRENT	EFF. (min.)	EFF. (typ.)	EFF. (avg.)
Single Output Models							
SPD05	90~264 VAC	5 WATTS	+ 5 VDC	1000 mA	67%	83%	69%
SPD12	90~264 VAC	5 WATTS	+12 VDC	420 mA	70%	86%	72%
SPD24	90~264 VAC	5 WATTS	+15 VDC	340 mA	70%	87%	72%
SPD48	90~264 VAC	5 WATTS	+24 VDC	210 mA	70%	87%	72%

Output Data

Line regulation	± 1%	Rated continuous loading	5V Model	1.0A @ 5VDC/0.85A @ 5.75VDC
Load regulation	± 2%		12V Model	0.42A @ 12VDC/0.36A @ 13.8VDC
Minimum load	0		15V Model	0.34A @ 15VDC/0.28A @ 17.25VDC
Turn on time (full resistive load)	1000ms max		24V Model	0.21A @ 24VDC/0.17A @ 28.8VDC
Transient recovery time	2ms	Reverse voltage	5V Model	VDC 7.5
Ripple and noise	50mVpp		12V Model	VDC 18
Output voltage accuracy	± 1%		15V Model	VDC 22
Temperature coefficient	± 0.03%/°C		24V Model	VDC 35
Hold up time	Vi= 115VAC 30ms Vi= 230VAC 130ms	Capacitor load	7000µF	
Voltage fall time (I _{0nom})	150ms max	Voltage rise time at full resistive load	150ms max	

Input Data

Rated input voltage	100 - 240VAC		Power dissipation		
Voltage range	AC	90 - 265VAC	(Vi : 230VAC, lo nom)	5V Model	2.2W
	DC	120 - 370VDC		12V Model	1.9W
Rated input current (Vi : 115VAC, lo nom)	Typ.	115mA		15V Model	2.1W
	Max.	200mA		24V Model	1.8W
Inrush current			Frequency range	47- 63Hz	
	Vi= 115VAC	10A	Leakage current	Input-Output	0.25mA
	Vi= 230VAC	18A			

Controls and Protections

Overload	110 - 135%	Over voltage protection	125 - 145%
Input fuse	T2A/250VAC internal ¹⁾	Internal surge voltage protection	Varistor
Output short circuit	Hiccup mode	(IEC 61000-4-5)	

¹⁾ Fuse not replaceable by user

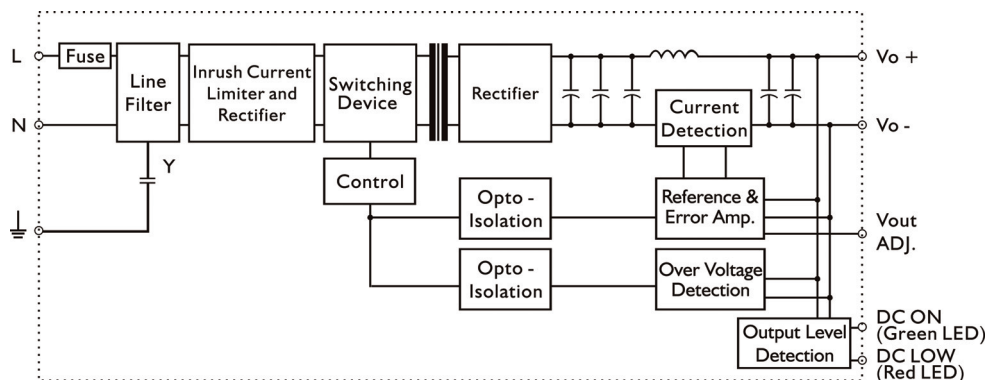
General Data (@ nominal line, full load, 25°C)

Ambient temperature	-20°C to 71°C	MTBF (Bellcore issue 6 @ 40°C, GB)	
Derating (>61°C to +71°C)	2.5%/°C	5V Model	802000 Hours
Ambient humidity	20 ~ 95%RH	12V Model	805000 Hours
Storage	-25°C to +85°C	15V Model	808000 Hours
Protection degree	IP20	24V Model	812000 Hours
Cooling	Free air convection	Case material	Plastic: PC, UL94-V0
Insulation voltage		Pollution degree	2
		Input-Output	3.000VAC/4242VDC min
Input-FG	1.500VAC/2121VDC min	Altitude	4850m
Insulation resistance I/O	100MΩ min (@ 500VDC)	Dimensions LxWxD mm(inch)	90(3.60)x22.5(0.89)x114(4.49)
		Weight	120g


Norms and Standards

Vibration resistance	meet IEC 60068-2-6 (Mounting by rail: 10-500Hz, 2G, along X, Y, Z each Axis, 60 min for each Axis)	CE	EN 61000-6-3, EN 55022 Class B, EN 61000-3-2, EN 61000-3-3, EN 61000-6-2, EN 55024, EN 61000-4-2 Level 4, EN 61000-4-3 Level 3, EN 61000-4-4 Level 4, EN 61000-4-5 L-Level 3, L/N-FG Level 4, EN 61000-4-6 Level 3, EN 61000-4-8 Level 4, EN 61000-4-11, ENV 50204 Level 2, EN 61204-3
Shock resistance	meet IEC 60068-2-27 (15G, 11ms, 3 Axis, 6 faces, 3 times for each face)		
UL / cUL	UL508 listed, UL60950-1, UL1310 Class 2 Power (only 5V, 12V w/o Class 2) Recognized, ISA 12.12.01 (Class 1, Division 2, Groups A, B, C and D)		
TUV	EN 60950-1, CB scheme		
CCC	GB4943, GB9254, GB17625.1		

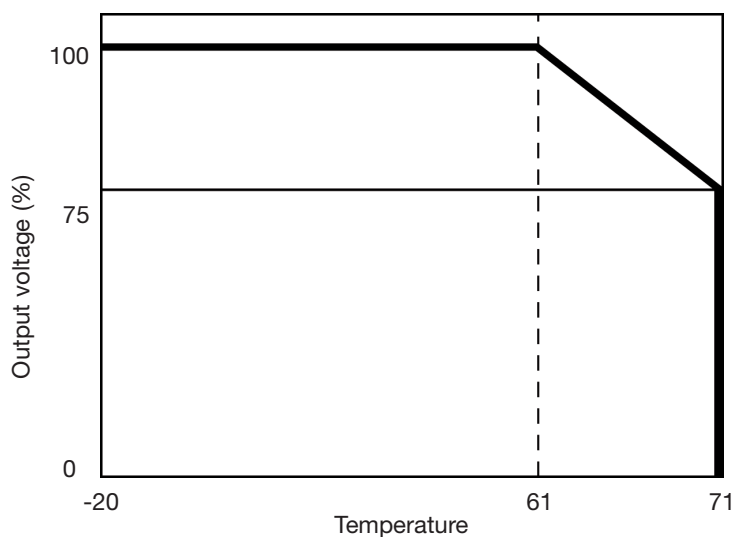
Block Diagrams



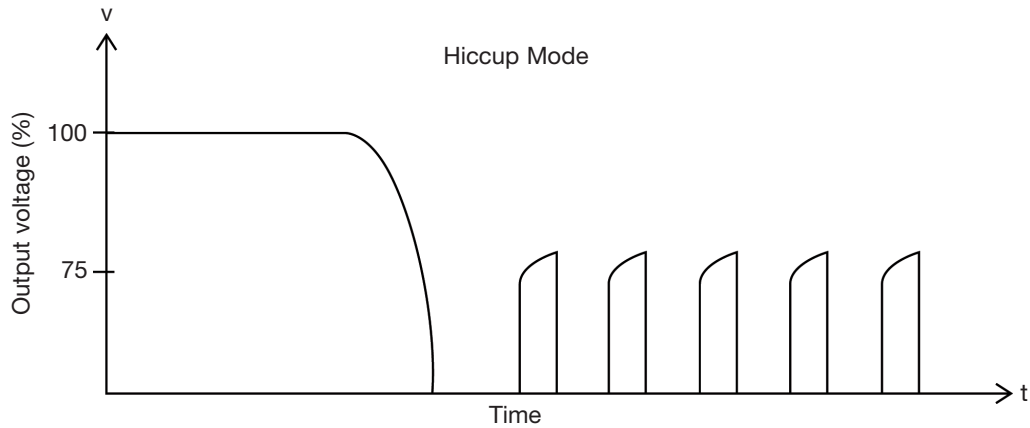
Pin Assignment and Front Controls

Pin No.	Designation	Description
1	V+	Positive output terminal
2	V-	Negative output terminal
3		Ground this terminal to minimize high-frequency emission
4	N	Input terminals (neutral conductor, no polarity at DC input)
5	L	Input terminals (phase conductor, no polarity at DC input)
	ON	Operation indicator LED
	LO	DC LOW indicator LED
	Vout ADJ.	Trimmer-potentiometer for Vout adjustment

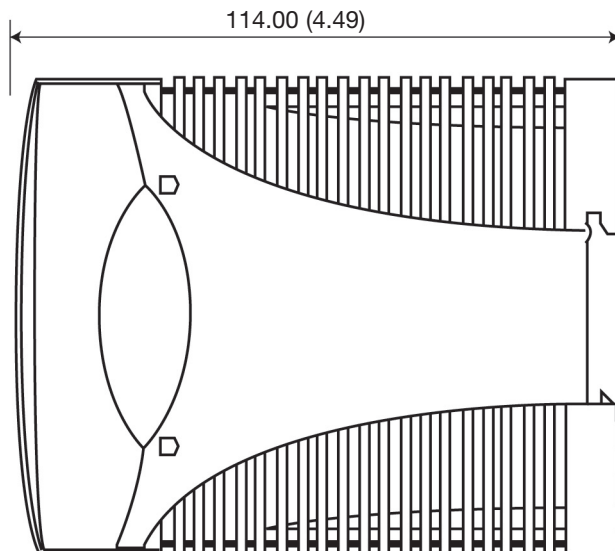
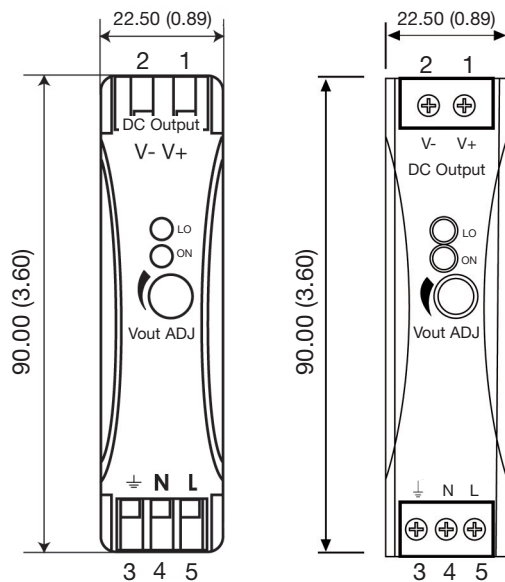
Derating Diagram



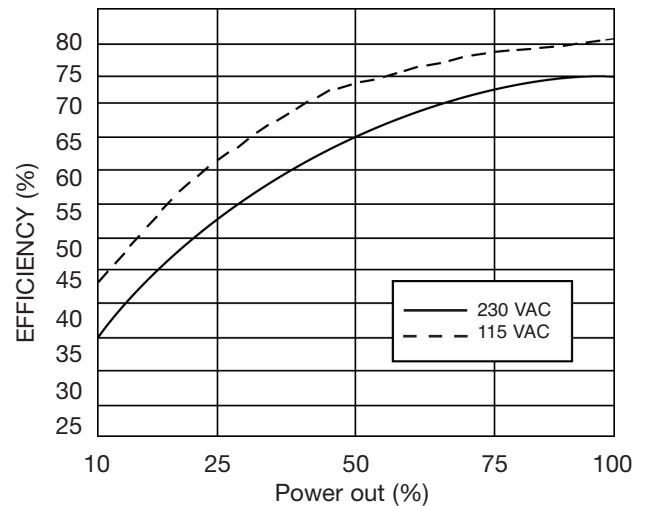
Typ. Current Limited Curve



Mechanical Drawings mm (inches)



Typ. Efficiency Curve



Installation

Ventilation and cooling	Normal convection All sides 25mm free space for cooling is recommended
Connector size range	
Spring terminal	AWG24-14 (0.2~2mm ²) flexible/solid cable, 10mm stripping at cable and recommends use copper conductors only, 60/75°C
Screw terminal	AWG26-12 (0.2~2.5mm ²) flexible/solid cable, connector can withstand torque at max 0,56Nm (5 lbs-in). 4~5 mm stripping at cable and recommends use copper conductors only, 60/75°C
Max. torque for terminal	
Input terminals	0.56Nm (5.0lb-in)
Output terminals	0.56Nm (5.0lb-in)
General tolerances mm(in.)	
0.00 (0.00) ÷ 30.00 (1.18)	±0.30 (0.01)
30.00 (1.18) ÷ 120.00 (4.72)	±0.50 (0.02)