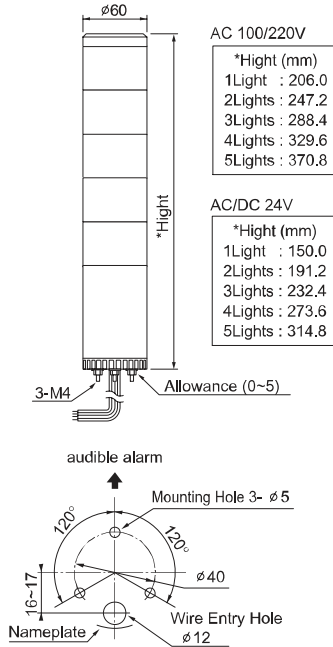
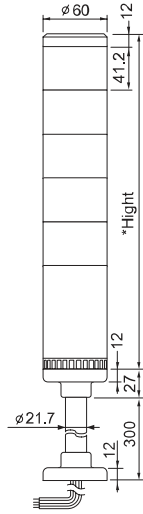


Dimensions

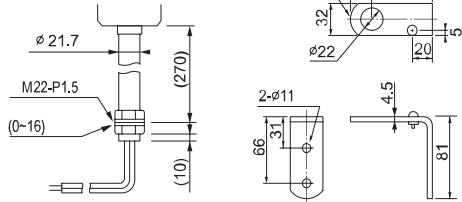
Direct Mount



Pole Mount



-L type



mm

STYLE	MODEL	RATED VOLTAGE	WATTAGE
1 LIGHT	LME-102/L/W/FB/FBL/FBW	24V AC/DC	1.2W
	LME-110/L/W/FB/FBL/FBW	100V AC	3.2W
	LME-120/L/W/FB/FBL/FBW	220V AC	3.6W
2 LIGHTS	LME-202/L/W/FB/FBL/FBW	24V AC/DC	2.4W
	LME-210/L/W/FB/FBL/FBW	100V AC	5.0W
	LME-220/L/W/FB/FBL/FBW	220V AC	5.4W
3 LIGHTS	LME-302/L/W/FB/FBL/FBW	24V AC/DC	2.9W
	LME-310/L/W/FB/FBL/FBW	100V AC	5.6W
	LME-320/L/W/FB/FBL/FBW	220V AC	6.2W
4 LIGHTS	LME-402/L/W/FB/FBL/FBW	24V AC/DC	3.4W
	LME-410/L/W/FB/FBL/FBW	100V AC	6.2W
	LME-420/L/W/FB/FBL/FBW	220V AC	7.0W
5 LIGHTS	LME-502/L/W/FB/FBL/FBW	24V AC/DC	3.9W
	LME-510/L/W/FB/FBL/FBW	100V AC	6.8W
	LME-520/L/W/FB/FBL/FBW	220V AC	7.8W

FB type flashes 60 times per minute.

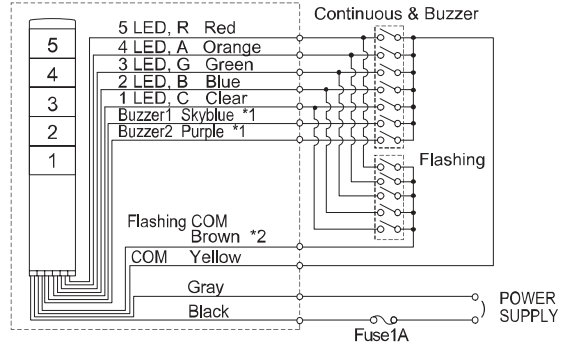
STYLE	MODEL	RATED VOLTAGE	WATTAGE
1 LIGHT	LME-102/W/FB/FBW	24V AC/DC	1.2W
	LME-110/W/FB/FBW	100V AC	3.2W
	LME-120/W/FB/FBW	220V AC	3.6W

The power consumption shown is for the single-tier, three-color version per one color.

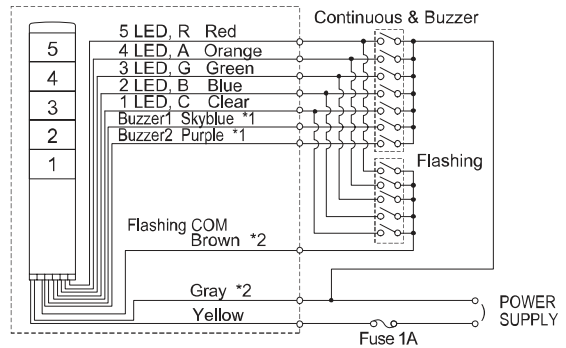
FB type flashes 60 times per minute.

Wiring Diagram

AC100V, 220V Type



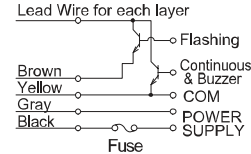
AC/DC24V Type



*1. Buzzer Type (FB only) *2. Flashing Type (FB only)

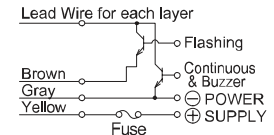
Open collector (100/220V)

NPN transistor

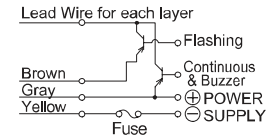


Open collector (24V)

NPN transistor



PNP transistor



Transistor Capacity

Current Capacity	Continuous : $I_c \geq 0.1A$ Buzzer : $I_c \geq 0.3A$
Withstand Voltage	$V_c \geq 35V$

- The single-tier, three-color version is compatible only with the NPN transistor type.
- If the contacts having continuous and flashing lights are activated simultaneously, the continuous light has priority.
- If buzzers 1 and 2 are turned on simultaneously, buzzer 1 will sound.
- Note that the FB version requires an independent COM line each for the continuous light and flashing light.
- A fuse should be installed for safety.

Voltage and Amperage of lead wire per a layer

Voltage Type	Signal Line Voltage	LED		Buzzer	
		Signal Line Current	Signal Line Current	Rush Current	
AC/DC 24V	AC/DC 24V	R, Y: 50mA G, B, C: 20mA	40mA	150mA	
AC100V	AC 100V				
AC220V	AC 24V				

- The current draw for the single-tier, three-color version is 50 mA for the red or yellow light and 40 mA for green or blue.