



OVERLOAD RELAY, 14...20 A, 1NO+1NC,  
SIZE S0, CLASS 10,  
FOR CONTACTOR MOUNTING

### General technical details:

<b>product brand name</b>		SIRIUS
<b>product designation</b>		thermal overload relay
<b>Protection class IP / on the front</b>		IP20
<b>Insulation voltage / with degree of pollution 3 / rated value</b>	V	690
<b>Installation altitude / at a height over sea level / maximum</b>	m	2,000
<b>Ambient temperature</b>		
• during operating	°C	-20 ... +70
• during storage	°C	-55 ... +80
• during transport	°C	-55 ... +80
<b>Relative humidity / during operating phase / maximum</b>	%	100
<b>Resistance against shock</b>		8g / 10 ms
<b>Impulse voltage resistance / rated value</b>	kV	6
<b>Active power loss / total / typical</b>	W	6
<b>Item designation</b>		
• according to DIN 40719 extendable after IEC 204-2 / according to IEC 750		F
• according to DIN EN 61346-2		F
<b>Operating current / of the fuse link / rated value</b>	A	50
<b>Trip class</b>		CLASS 10

Type of assignment		2
type of protection		DMT 98 ATEX G 001
Size of overload relay		S0
Size of the contactor / can be combined / company-specific		S0
Protection against electrical shock		finger-safe

#### Main circuit:

Number of poles / for main current circuit		3
Operating voltage / at AC-3 / rated value		
• maximum	V	690
Service power / at AC-3		
• at 400 V	kW	7.5
Adjustable response current		
• of the current-dependent overload release	A	14 ... 20

#### Auxiliary circuit:

Contact reliability / of the auxiliary contacts		acceptability for PLC control (17 V, 5 mA)
Number of NC contacts		1
Number of NO contacts		1
Number of change-over switches		0
Operating current / of the auxiliary contacts / at AC-15		
• at 24 V	A	3
• at 110 V	A	3
• at 120 V	A	3
• at 125 V	A	3
• at 230 V	A	2
• at 400 V	A	1
Operating current / of the auxiliary contacts / at DC-13		
• at 24 V	A	1
• at 110 V	A	0.22
• at 125 V	A	0.22
• at 220 V	A	0.11

#### Short-circuit:

Design of the fuse link / for short-circuit protection of the auxiliary switch / required		fuse gL/gG: 6 A, quick: 10 A
---	--	------------------------------

#### Installation/mounting/dimensions:

Built in orientation		with vertical mounting surface +/-135° rotatable, with vertical mounting surface +/- 45° tiltable to the front and back
Type of mounting		direct mounting

<b>Height</b>	mm	97
<b>Width</b>	mm	45
<b>Depth</b>	mm	96
<b>Distance, to be maintained, to the ranks assembly</b>		
• upwards	mm	0
• downwards	mm	0
• forwards	mm	0
• backwards	mm	0
• sideways	mm	0
<b>Distance, to be maintained, to earthed part</b>		
• upwards	mm	0
• downwards	mm	0
• forwards	mm	0
• backwards	mm	0
• sideways	mm	6
<b>Distance, to be maintained, conductive elements</b>		
• upwards	mm	0
• downwards	mm	0
• forwards	mm	0
• backwards	mm	0
• sideways	mm	6

#### Connection type:

<b>Product function</b>		
• removable terminal for auxiliary and control circuit		No
<b>Design of the electrical connection</b>		
• for main current circuit		screw-type terminals
• for auxiliary and control current circuit		screw-type terminals
<b>Type of the connectable conductor cross-section</b>		
• for main contacts		
• solid		2x (1 ... 2.5 mm <sup>2</sup> ), 2x (2.5 ... 10 mm <sup>2</sup> )
• finely stranded		
• with conductor end processing		2x (1 ... 2.5 mm <sup>2</sup> ), 2x (2.5 ... 6 mm <sup>2</sup> ), 1x 10 mm <sup>2</sup>
• for auxiliary contacts		
• solid		2x (0.5 ... 1.5 mm <sup>2</sup> ), 2x (0.75 ... 2.5 mm <sup>2</sup> )
• finely stranded		
• with conductor end processing		2x (0.5 ... 1.5 mm <sup>2</sup> ), 2x (0.75 ... 2.5 mm <sup>2</sup> )
• for AWG conductors		
• for main contacts		2x (16 ... 12), 2x (14 ... 8)
• for auxiliary contacts		2x (20 ... 16), 2x (18 ... 14)

<b>Conductor cross section that can be connected</b>	• for main contacts		
	• solid	mm <sup>2</sup>	1 ... 10
	• stranded wire		
	• with conductor end processing	mm <sup>2</sup>	1 ... 10
• for auxiliary contact	• solid	mm <sup>2</sup>	0.5 ... 2.5
	• stranded wire		
	• with conductor end processing	mm <sup>2</sup>	0.5 ... 2.5
<b>AWG number / as coded connectable conductor cross-section</b>			
• for main contacts / minimum			16
• for auxiliary contact			20 ... 14

### Certificates/approvals:

<b>Verification of suitability</b>	CSA / UL / CC / GL / LRS / BV / DNV / RMRS / RINA / PRS / ABS
------------------------------------	---

<b>Verification of suitability / ATEX</b>	Yes
---	-----

General Product Approval	For use in hazardous locations	Test Certificates
--------------------------	--------------------------------	-------------------



[ROSTEST](#)

[DEKRA EXAM, DMT](#)

[Manufacturer](#)

### Shipping Approval



### Shipping Approval other



[Manufacturer](#)

### Further information:

#### Information- and Downloadcenter (Catalogs, Brochures,...)

<http://www.siemens.com/industrial-controls/catalogs>

#### Industry Mall (Online ordering system)

<http://www.siemens.com/industrial-controls/mall>

#### CAX-Online-Generator

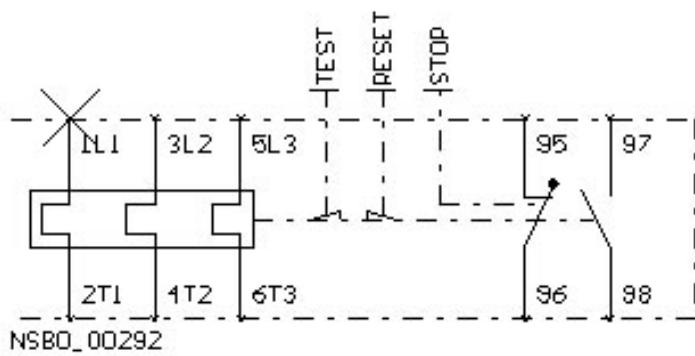
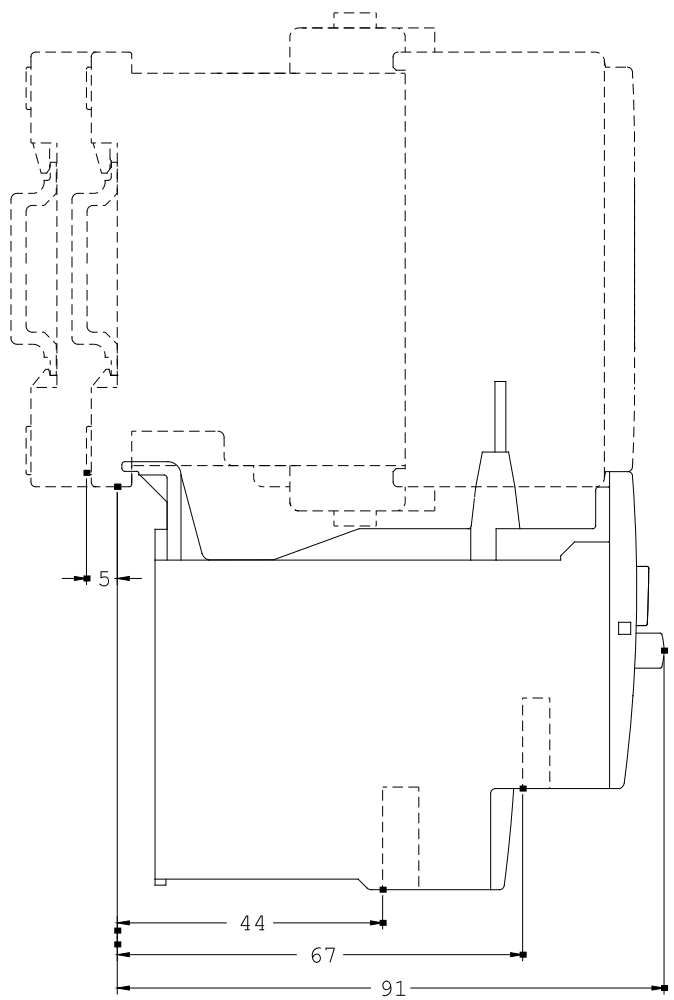
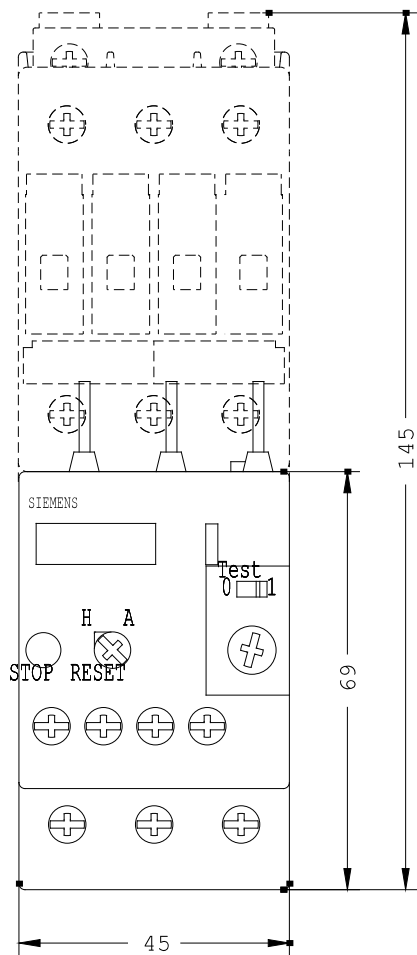
<http://www.siemens.com/cax>

#### Service&Support (Manuals, Certificates, Characteristics, FAQs,...)

<http://support.automation.siemens.com/WW/view/en/3RU1126-4BB0/all>

#### Image database (product images, 2D dimension drawings, 3D models, device circuit diagrams, ...)

[http://www.automation.siemens.com/bilddb/cax\\_en.aspx?mlfb=3RU1126-4BB0](http://www.automation.siemens.com/bilddb/cax_en.aspx?mlfb=3RU1126-4BB0)



last change:

Mar 5, 2012